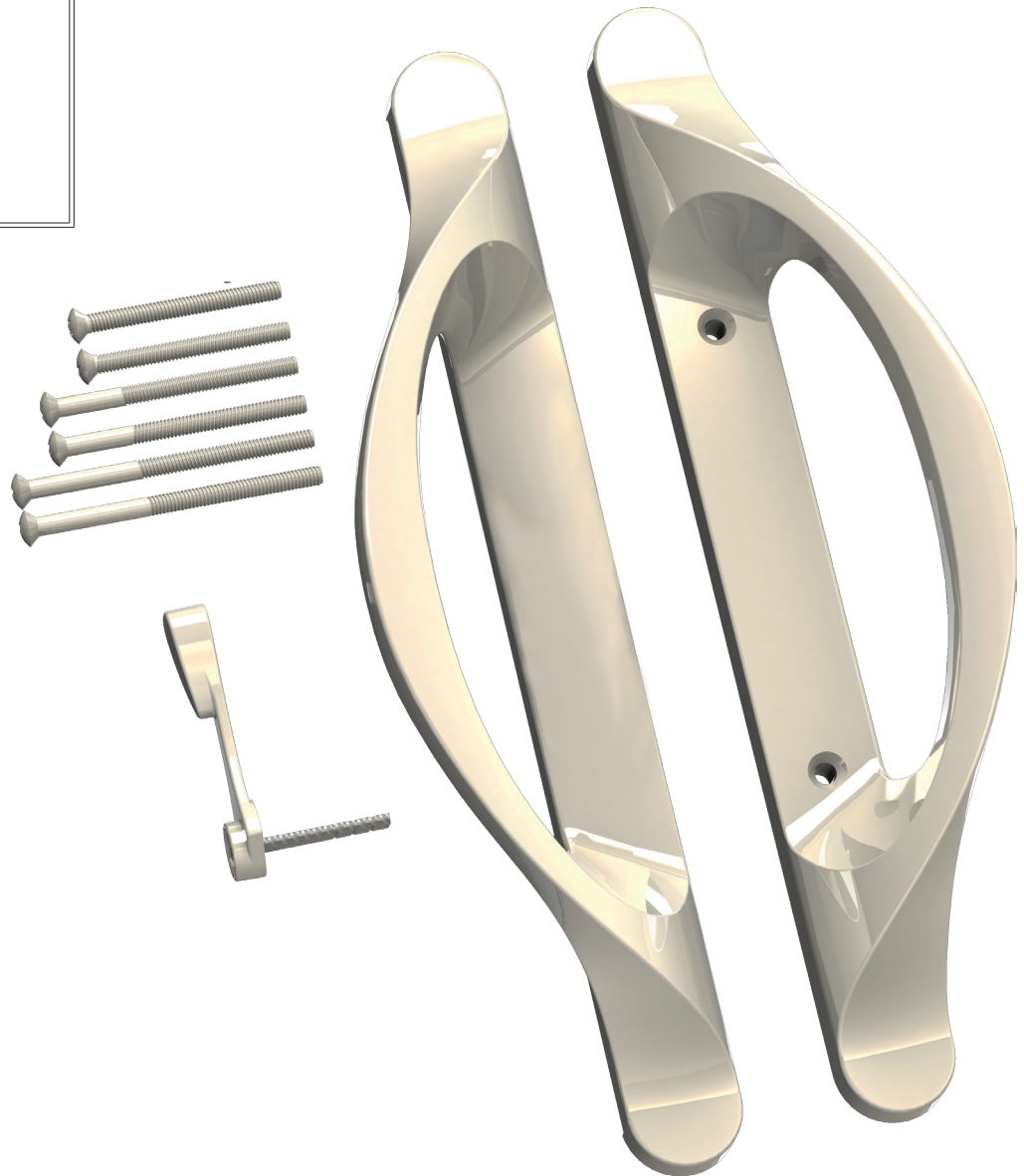
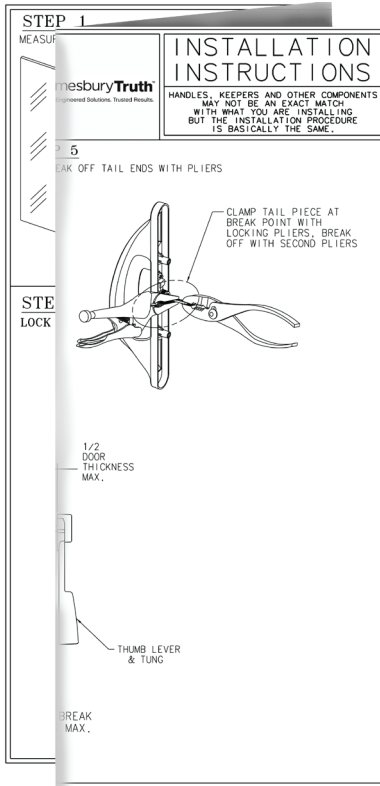


40.85.xx.100 SEMI-ACTIVE HANDLE KIT

Included in the 40.85.xx.100 Semi-Active handle kit:

- Interior handle.
- Exterior handle.
- Thumb lever/tongue assembly.
- 3 sets of door mounting screws of 1 3/4", 2 1/8", 2 1/2" lengths to fit stile thicknesses ranging from 1.25" to 2.25".
- Assembly instruction sheet.

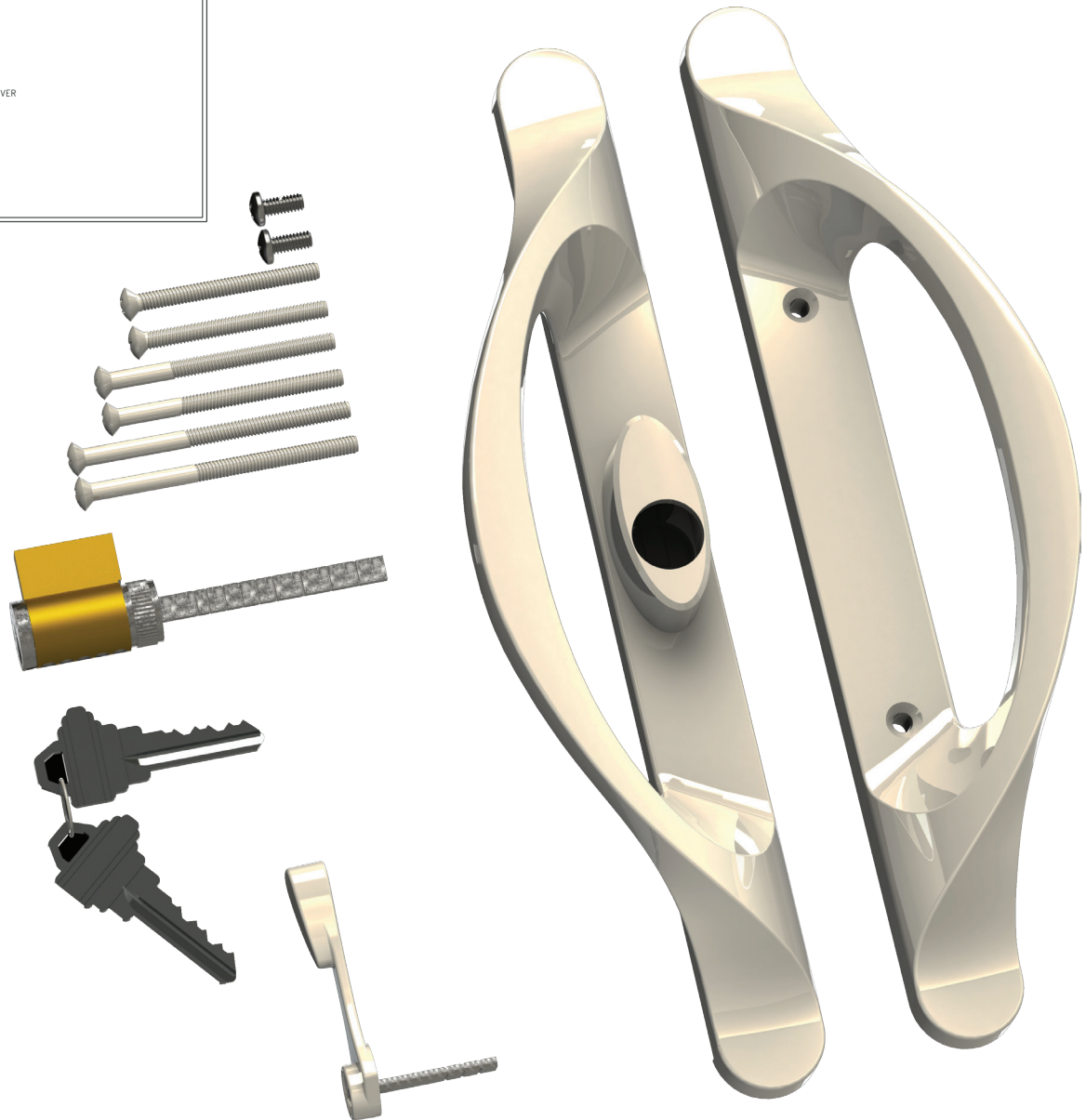


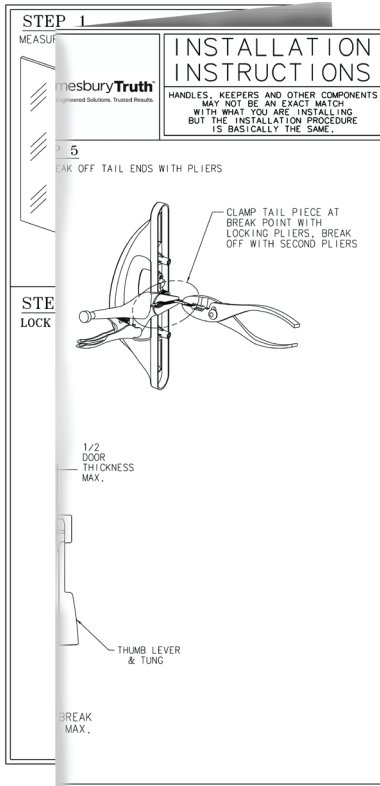


40.85.xx.101 ACTIVE HANDLE KIT (OX) (SHOWN) 40.85.xx.102 ACTIVE HANDLE KIT (XO) (OPPOSITE) (CENTERED KEYED CYLINDER)

Included in the 40.85.xx.101 / .102 Active handle kit:

- Interior handle.
- Exterior handle with key cylinder tower mounted.
- Thumb lever assembly.
- 3 sets of door mounting screws of 1 3/4", 2 1/8", 2 1/2" lengths to fit stile thicknesses ranging from 1.25" to 2.25".
- KD SCH-C style 5-pin Key cylinder. (KA available separately)
- Assembly instruction sheet.

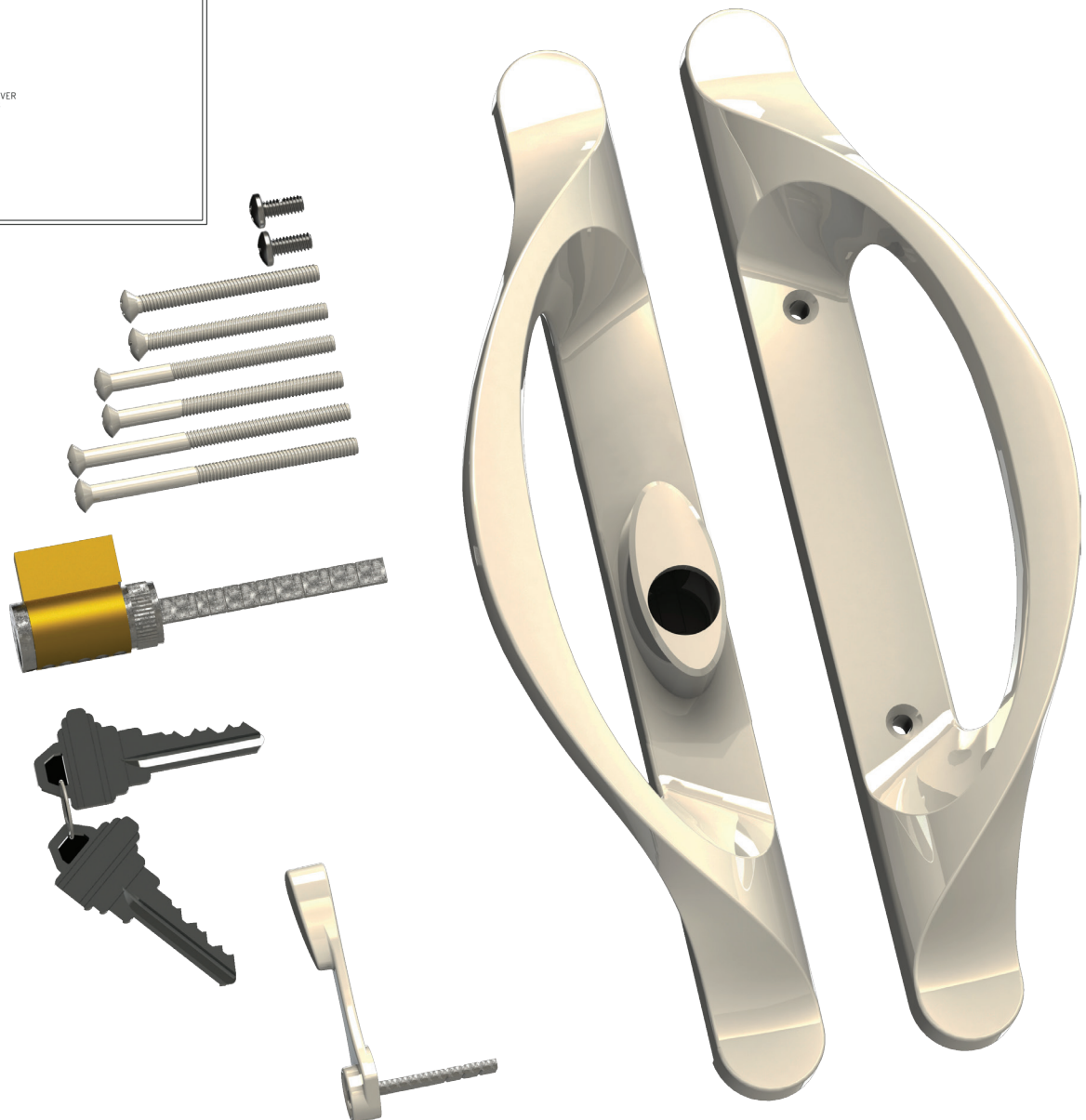


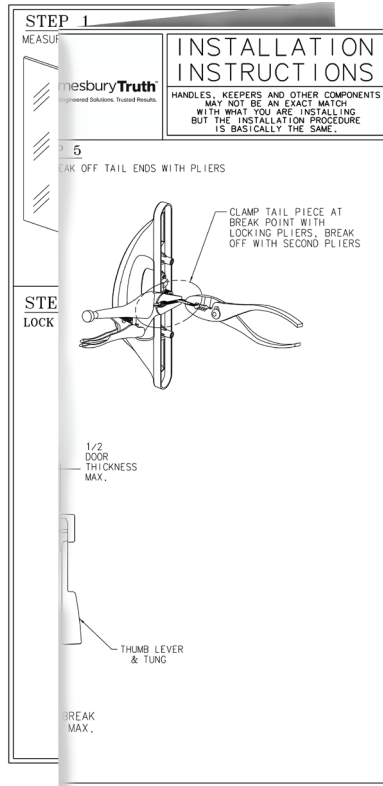


40.85.xx.103 ACTIVE HANDLE KIT (OX) (SHOWN) 40.85.xx.104 ACTIVE HANDLE KIT (XO) (OPPOSITE) (OFFSET KEYED CYLINDER)

Included in the 40.85.xx.103 / .104 Active handle kit:

- Interior handle.
- Exterior handle with key cylinder tower mounted.
- Thumb lever assembly.
- 3 sets of door mounting screws of 1 3/4", 2 1/8", 2 1/2" lengths to fit stile thicknesses ranging from 1.25" to 2.25".
- KD SCH-C style 5-pin Key cylinder. (KA available separately)
- Assembly instruction sheet.

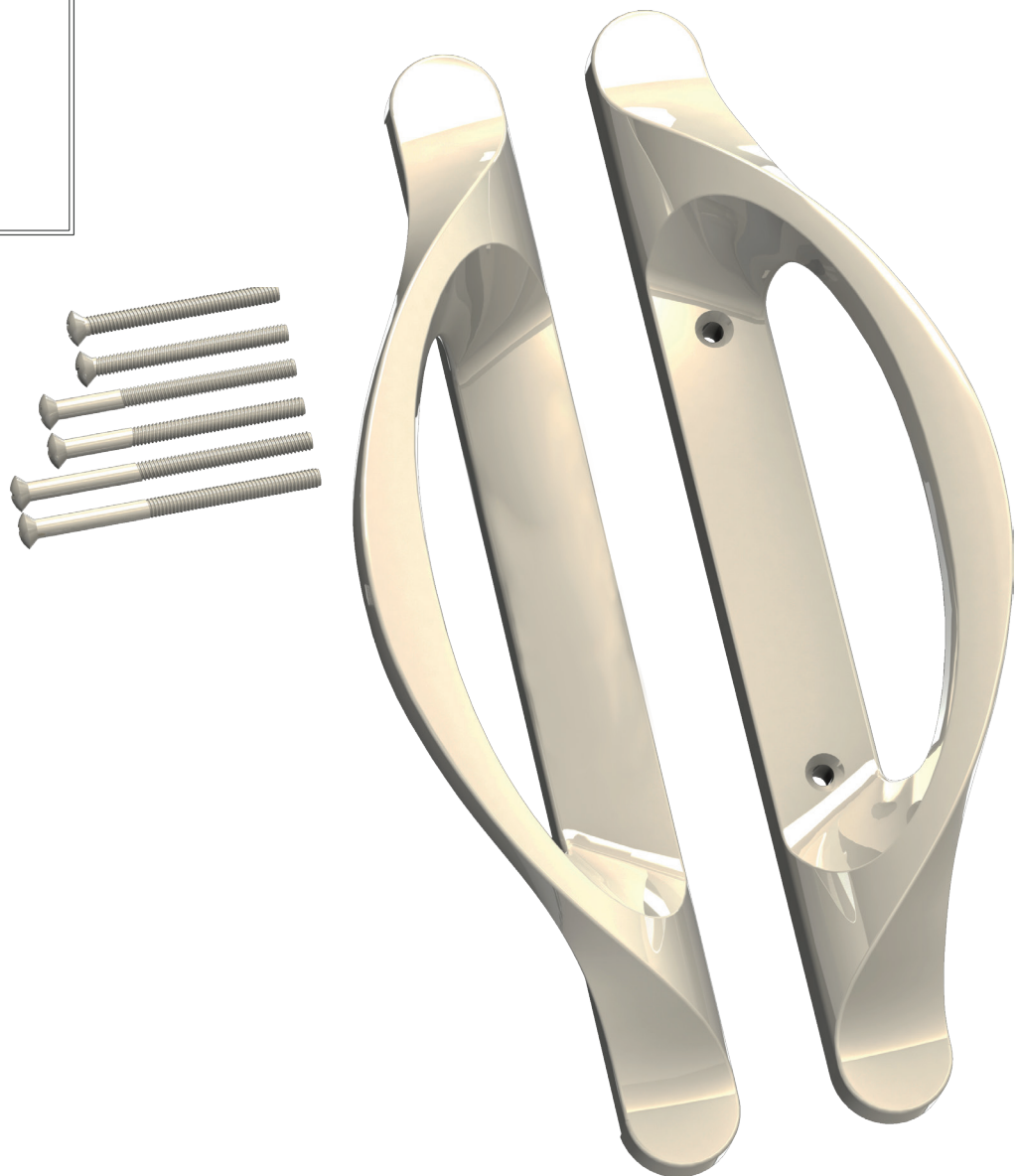




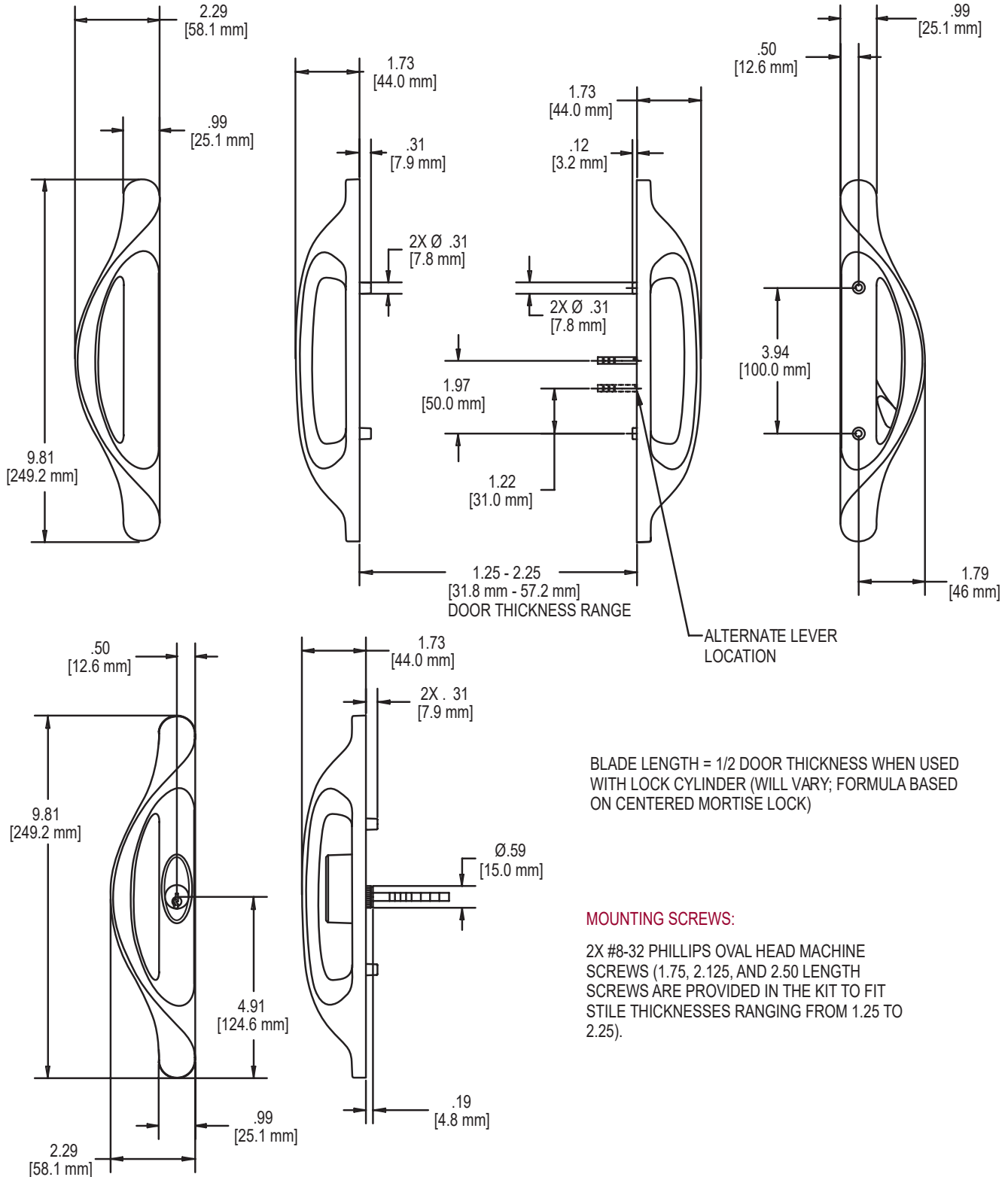
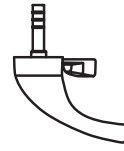
40.85.xx.105 INACTIVE HANDLE KIT

Included in the 40.85.xx.102 Inactive handle kit:

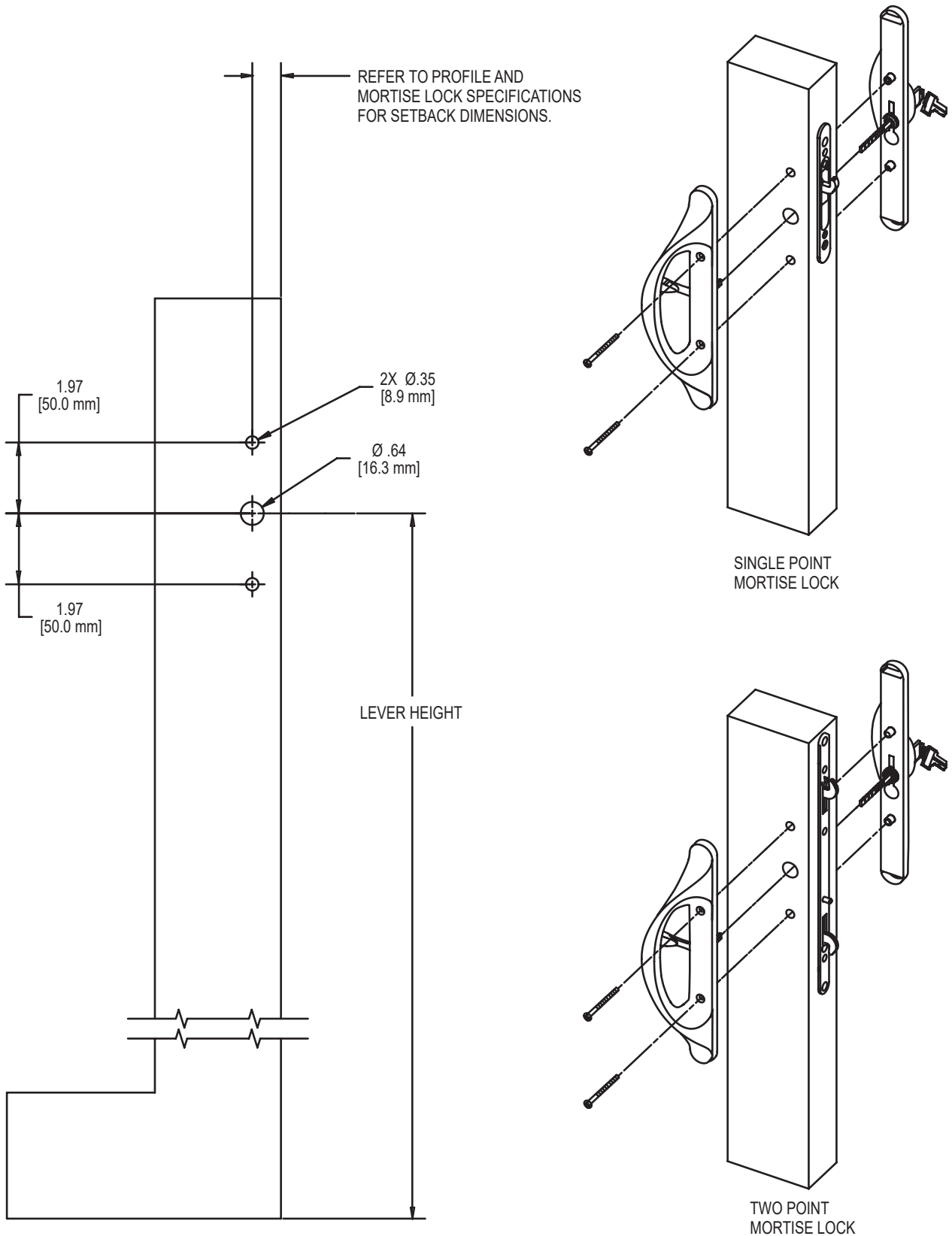
- Interior handle.
- Exterior handle.
- 3 sets of door mounting screws of 1 3/4", 2 1/8", 2 1/2" lengths to fit stile thicknesses ranging from 1.25" to 2.25".
- Assembly instruction sheet.



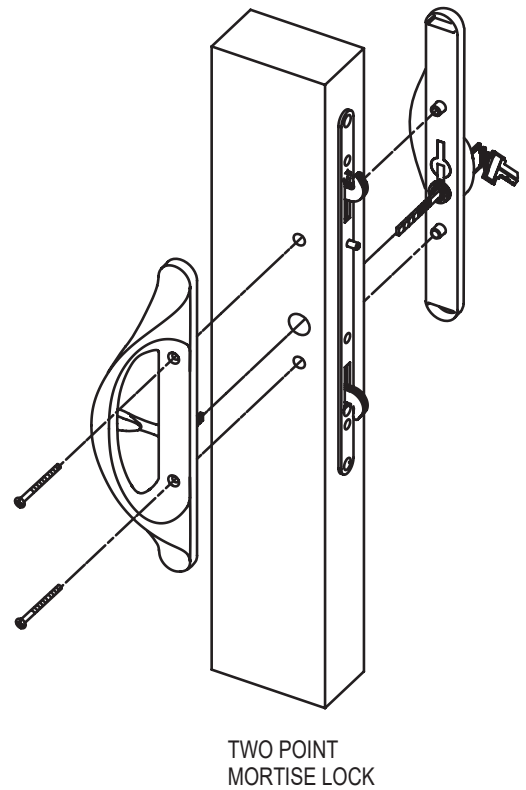
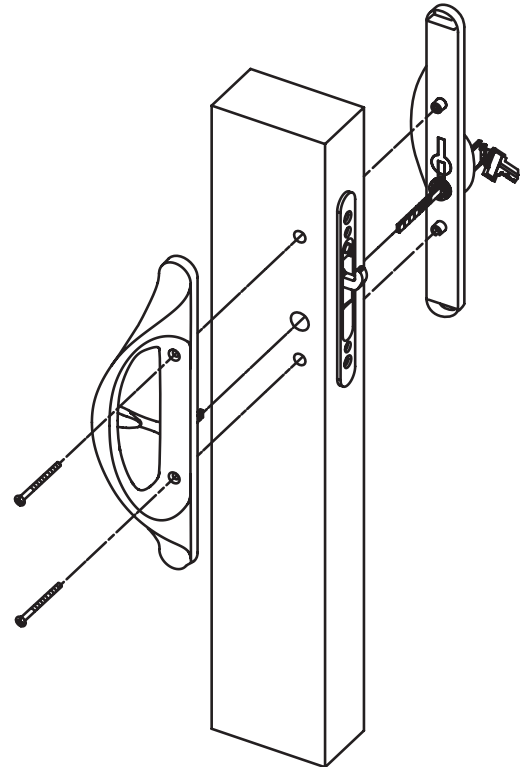
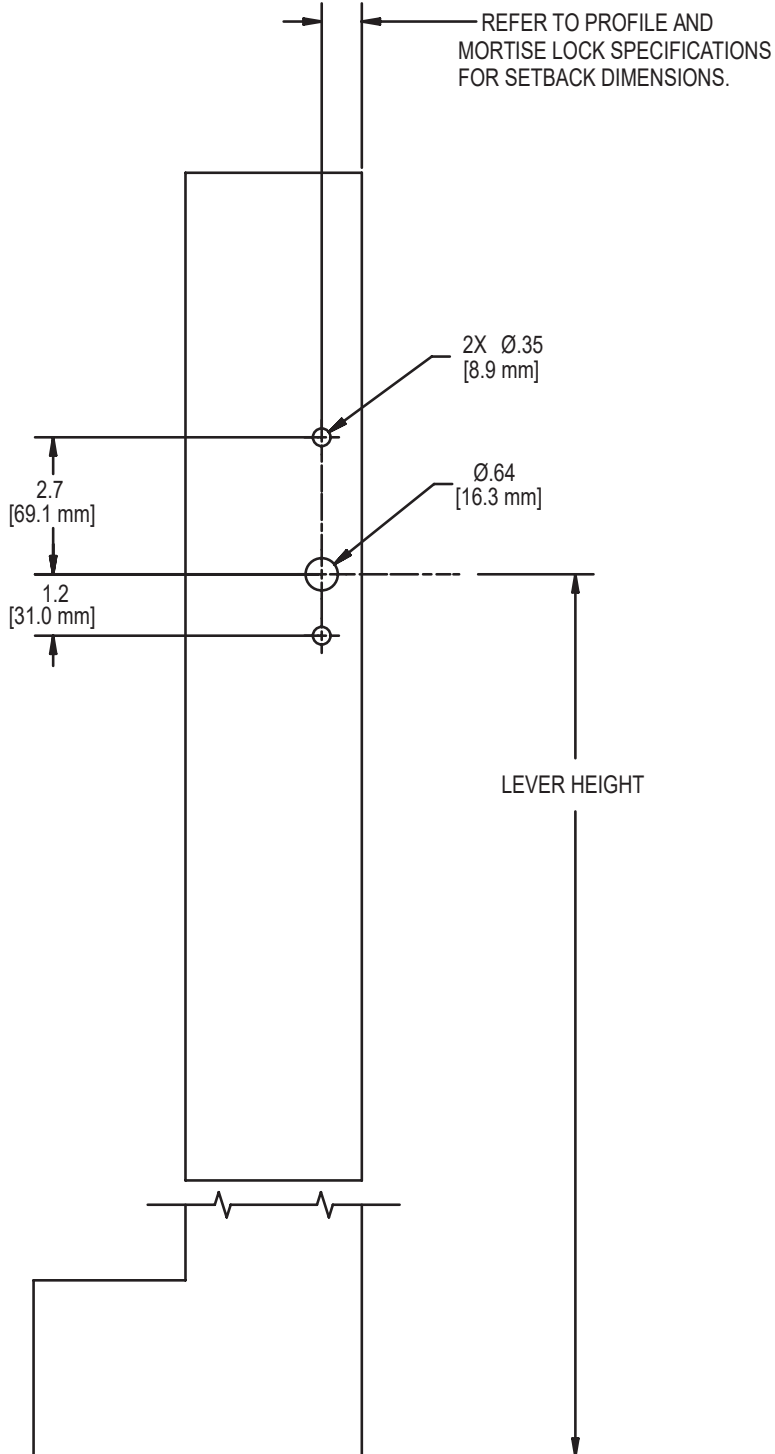
ALLURE SERIES PATIO DOOR HANDLE 40.85



ALLURE SERIES PATIO DOOR HANDLE APPLICATION (CENTER LEVER POSITION 40.85.XX.101/102 KEYED HANDLES)



ALLURE SERIES PATIO DOOR HANDLE APPLICATION (OFFSET LEVER POSITION 40.85.XX.104/105 KEYED HANDLES)

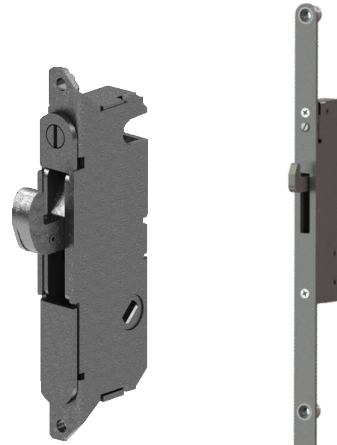


Compatible Locks:

The Allure Series 40.85 handle sets work with single point, 2 point, and 3 point locks.

AmesburyTruth's technical applications specialists can help assist with determining the best lock for the door system you are fabricating.

The applications team can be reached at:
ApplicationSpecialists@truth.com



Single Point



**Gemini
2 - Point**



**Nexus
2 - Point**



**Nexus
3 - Point**